

**SPECIFICATION**

**A: MATERIAL:**

- 1.BODY: PA66
- 2.TERMINAL: Cu PLATED Sn
- 3.PIN: Cu PLATED Ni

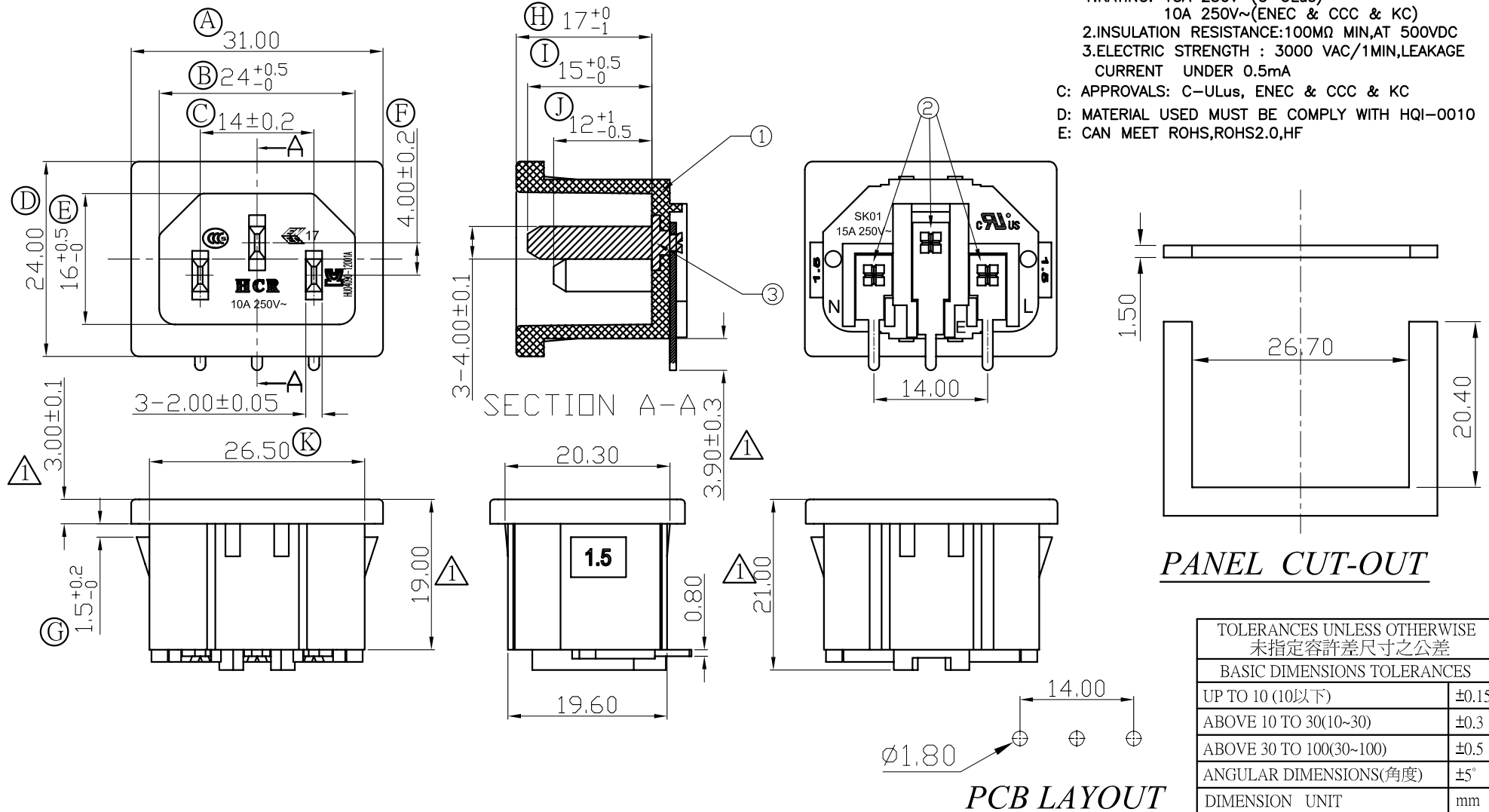
**B: CHARACTERISTICS:**

- 1.RATING: 15A 250V~(C-ULus)  
10A 250V~(ENEC & CCC & KC)
- 2.INSULATION RESISTANCE:100MΩ MIN,AT 500VDC
- 3.ELECTRIC STRENGTH : 3000 VAC/1MIN,LEAKAGE CURRENT UNDER 0.5mA

**C: APPROVALS: C-ULus, ENEC & CCC & KC**

**D: MATERIAL USED MUST BE COMPLY WITH HQI-0010**

**E: CAN MEET ROHS,ROHS2.0,HF**



TOLERANCES UNLESS OTHERWISE 未指定容許差尺寸之公差	
BASIC DIMENSIONS TOLERANCES	
UP TO 10 (10以下)	±0.15
ABOVE 10 TO 30(10~30)	±0.3
ABOVE 30 TO 100(30~100)	±0.5
ANGULAR DIMENSIONS(角度)	±5°
DIMENSION UNIT	mm

東莞市華之力電子有限公司 DONGGUAN HCR ELECTRONICS CO., LTD.

NO	DATE	REVISION DESCRIPTION	REVISION	DRAWN	APPROVED	繪圖 DRAWN BY	日期 DATE	核准 APPROVED BY	日期 DATE	投影法 PROJECT	機型 PART NAME	型號 PART NO	料號 ITEM NO
2						AaronJin	20121117	AaronJin	20121117	第一角	INLET SOCKET		
1	2012/11/17	尺寸變更21.9=>21.3,4±0.3=>3±0.1,3.0±0.3=>3.9±0.3,增加19尺寸管控	A1	WeiChen	AaronJin	RZTang	20121117	AaronJin	20121117	比例 SCALE	1:1	SK01	
0	2012/8/15	新制定	A0	WeiChen	AaronJin	WeiChen	20121117	AaronJin	20121117	路徑 DWG NO	E:\成品圖 SK01\800043		SK01-0701071121H